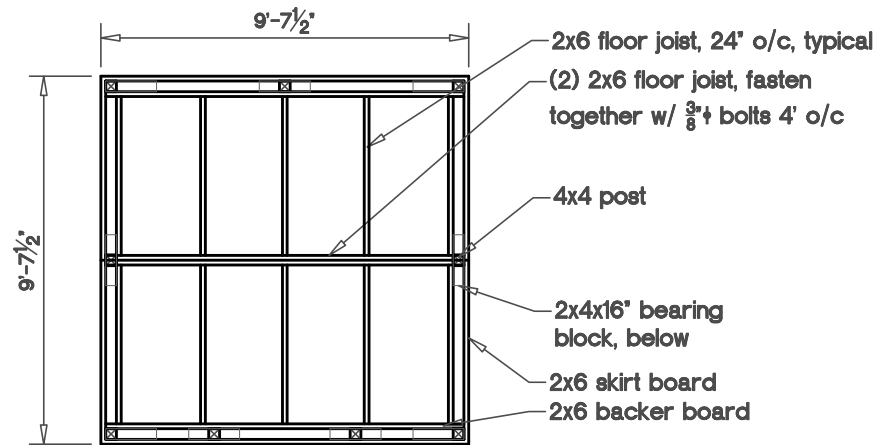


Post Layout Plan

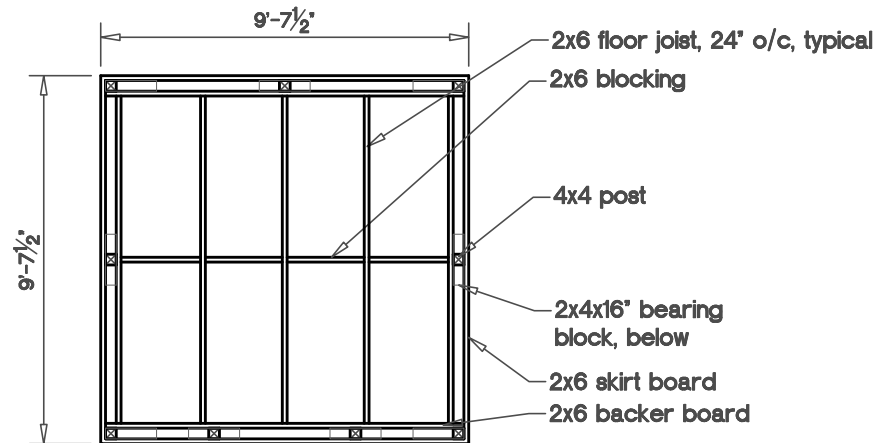
NTS



Floor Framing Plan

NTS

Kit Unit



Floor Framing Plan

NTS

Fully Assembled Unit