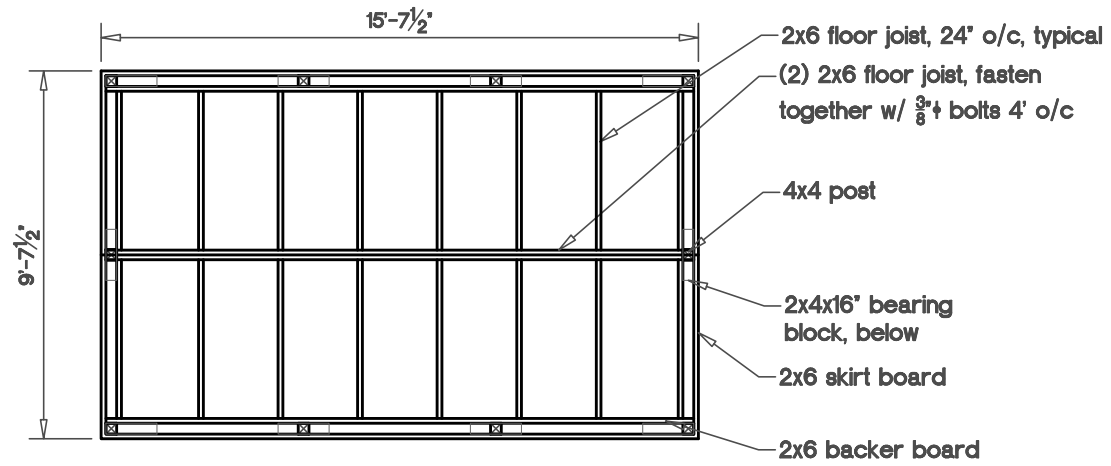


# Post Layout Plan

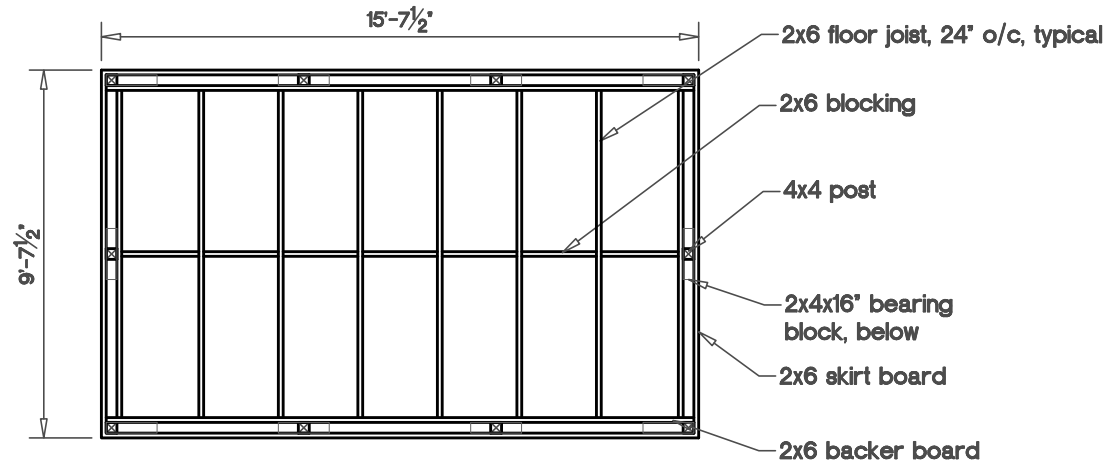
NTS



# Floor Framing Plan

Kit Unit

NTS



# Floor Framing Plan

Fully Assembled Unit

NTS