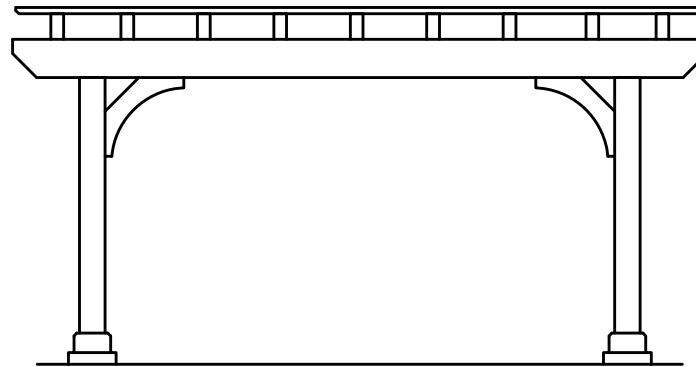


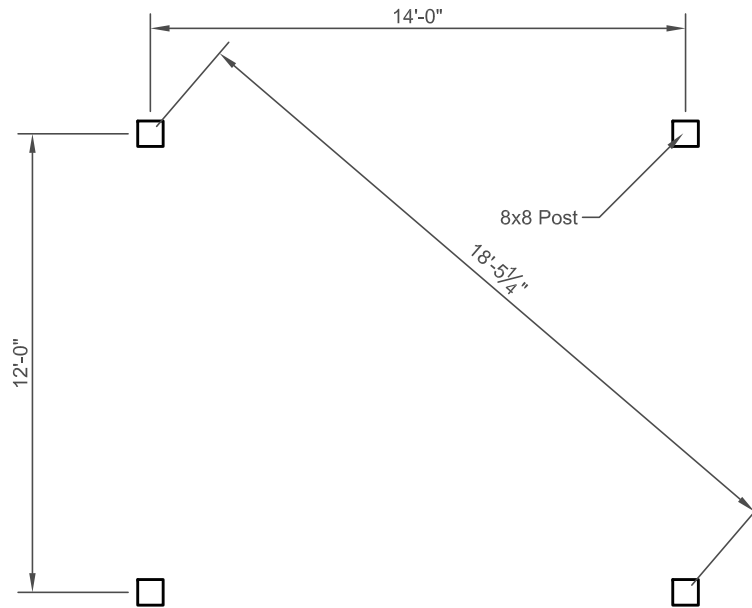
End Elevation

NTS



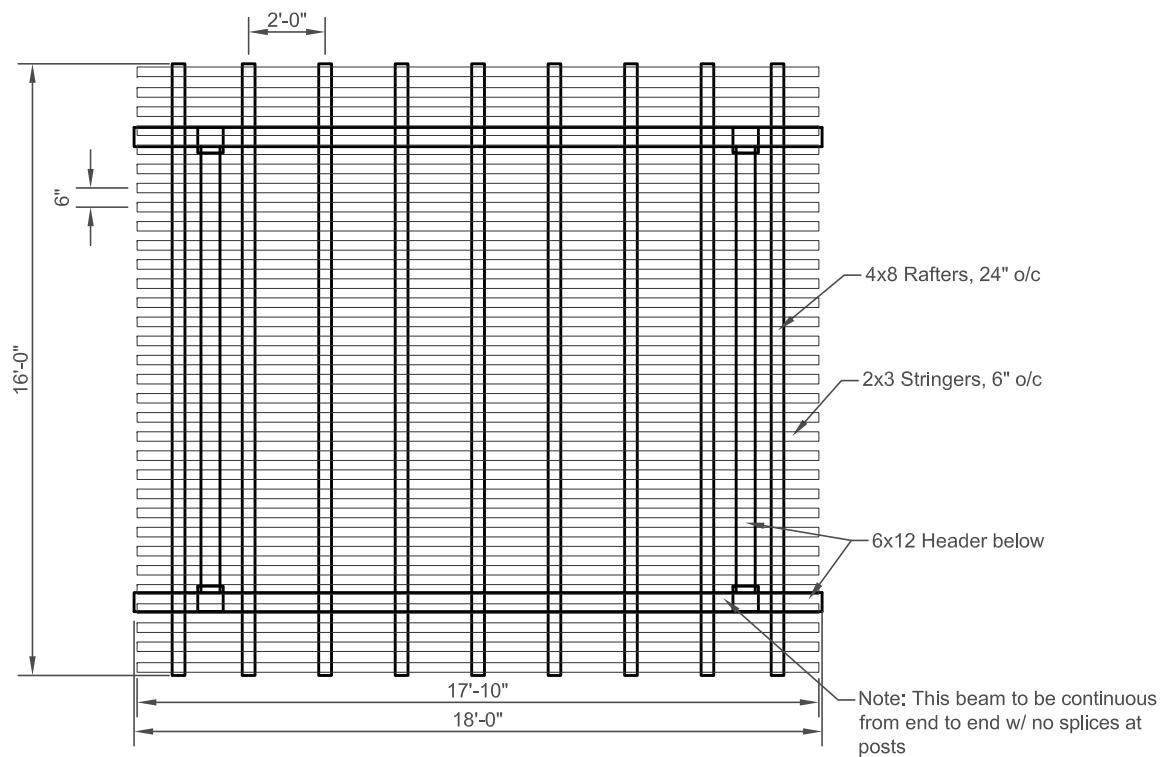
Side Elevation

NTS



# Post Layout Plan

NTS



# Roof Framing Plan

NTS